



GREEN MAGNETIK DOO.

May the magnetic force be with you!

24000 Subotica, Blaha Lujze 23.

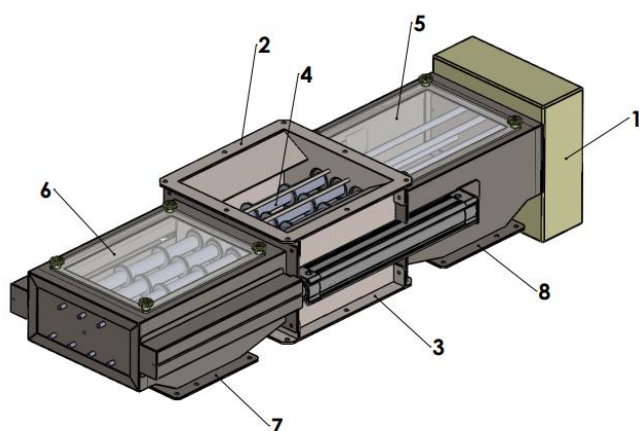
Tel. +381 (0)63-198-03-59

E-mail: office@greenmagnetik.rs

www.greenmagnetik.rs

INSTRUCTIONS FOR INSTALLATION, OPERATION, MAINTENANCE

GM-ARK-...-



INSTALLATION INSTRUCTIONS

The foreseeable location must have single-phase power and compressed air. It can be installed by direct welding and with the help of the upper (2) and lower (3) flanges, for which a counter flange is welded on the pipe before. It is recommended to install the lower (3) counter flange first, then cut the size of the metal selection height (+5 mm) from the pipeline, then place the device on the counter flange and screw it to it. We also screw the

counter to the upper (2) flange and thus weld the counter flange to the pipeline, this way everything is in the right direction. The machine works in both automatic and manual mode, the control of which can be adjusted on the control box (1). It is important to note that a worker with a PACEMAKER should not touch the metal selector, as the device has a large magnetic field.

HANDLING AND MAINTENANCE OF METAL SEPARATOR

The time relay inside the control box (1) can be used to set how often the machine cleans. In manual mode, another switch can be used to control the cleaning in both directions. Through the transparent covers (5, 6) we gain an insight into the operation of the machine and it is worth checking once a month that the magnetic bars (4) are fully extended in both directions. The air cleaner on the side of the control box should be cleaned annually to increase the service life of the working cylinders. When the machine is operating, do not touch the cleaning parts of the machine, as the fast-moving magnetic charge can easily damage us.



GREEN MAGNETIK DOO.

May the magnetic force be with you!

24000 Subotica, Blaha Lujze 23.

Tel. +381 (0)63-198-03-59

E-mail: office@greenmagnetik.rs

www.greenmagnetik.rs

CLEANING

Cleaning is done automatically. The removed metal contamination exits through the cleaning openings (7,8). To treat light pollution, it is worth hanging a bag or a suction device over the cleaning openings. If you cleaning with water, make sure that no liquid gets inside the control box (1).

IMPORTANT!

Workers who have a PACEMAKER cannot work with the device, as it has powerful magnets!

The cleaning should not be done with metal objects that are attracted to the magnet!

It is strongly recommended to use rubber gloves!