



GREEN MAGNETIK DOO.

May the magnetic force be with you!

24000 Subotica, Blaha Lujze 23.

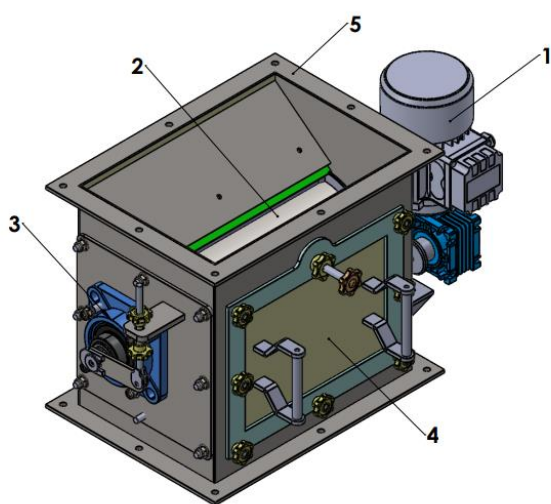
Tel. +381 (0)63-198-03-59

E-mail: office@greenmagnetik.rs

www.greenmagnetik.rs

INSTRUCTIONS FOR INSTALLATION, HANDLING, MAINTENANCE AND SAFE OPERATION

GM-PAB-A-...-



Housed separating drums serve to the continuous and automatic separation of ferromagnetic particles coming from dry materials and preserves against the damage of the machine and appliance that process the cleaned material sunsequently. During the cleaning there is no need of interrupting the flow of material.

The system of permanent magnets makes the segregation of the magnetic metal particles without a need of interruption of the production cycle easier and at the same time it preserves the subsequent engineering devices (e. g. pressers, grinders, mills, shredders) against the damage. The heart of the

magnetic drum is a set of magnetic cores in the shape of half-moon that an external part of the drum (made of stainless steel) turns with ledgelike tenons around.

We can produce them for liquid, half liquid type materials (wet salt, oil, cooling fluid, etc.), where we seal the magnetic core, to be water proof.

INSTALLATION INSTRUCTIONS

The location must have three-phase power supply. Mounting can be done by the squair flanges (5), or we can manufacture it to be able to fit in to standard pipe pilnes. When connecting the power cable, make sure that the magnetic drum found in the selector rotates in the direction of the sticker on the machine. It is important to note that a worker with a PACEMAKER should not touch the metal selector, as the device has a large magnetic field.



GREEN MAGNETIK DOO.

May the magnetic force be with you!

24000 Subotica, Blaha Lujze 23.

Tel. +381 (0)63-198-03-59

E-mail: office@greenmagnetik.rs

www.greenmagnetik.rs

MAINTENANCE OF THE METAL SEPARATOR

The automatic metal selector is a very durable machine that does not require excessive maintenance. By removing the observation door (4), we can gain an insight into the operation of the machine and check whether the drum (2) is rotating correctly. In the case of a squeaking sound, it is most likely that the bearings (3) need oil, which have greasing pins, it is worth greasing them once a year. There are also bearings inside the drum (2), but they are less likely to wear out, but if the drum does not rotate even though the motor (1) is working, contact us and we will fix it as soon as possible. The exact angle of the magnetic core inside the drum can be adjusted with the lever located next to the side bearing (3). This adjustment is necessary if the metal is not thrown properly by the drum (2). The rubber skirt material that fits on the drum can wear out after several years of use (depending on what material flows through the filter), as a result, 10-15% of the material can fall out together with the metals, so in this case it may need to be replaced.

CLEANING

All you need to clean the automatic metal separator is a storage compartment or bag for the separate outlet (closed from the clean material) on the back. In case of disinfection or washing, the door (4) on the front and back can be removed to help cleaning and maintenance.

IMPORTANT!

Workers who have a PACEMAKER must not work with the device as it has powerful magnets!

Cleaning should not be done with metal objects that are attracted to the magnet, but instead with plastic, rubber, stainless steel, etc. Using tools.

It is strongly recommended to use rubber gloves, safety glasses and facemask for cleaning.

The magnetic bars must not be exposed to a higher temperature than the maximum temperature prescribed for the given type of magnet (N 80 C°, SH 150 C°, TH 250 C°, etc.)!