



GREEN MAGNETIK DOO.

May the magnetic force be with you!

24000 Subotica, Blaha Lujze 23.

Tel.: +381 (0)63-198-03-59

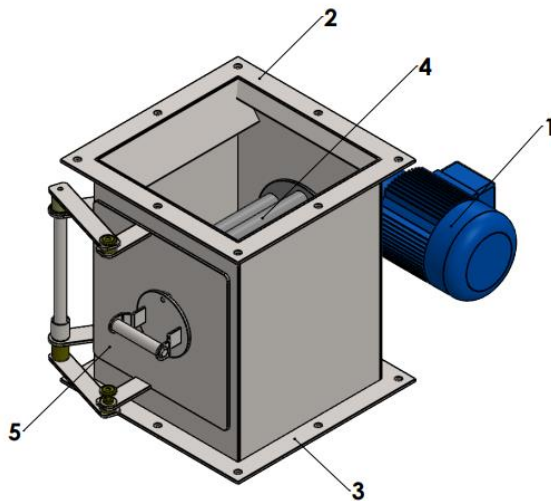
E-mail: office@greenmagnetik.rs

www.greenmagnetik.rs

INSTRUCTIONS FOR INSTALLATION, OPERATION, MAINTENANCE

GM-PAKR-...-

INSTALLATION INSTRUCTIONS



The foreseeable location must have a single or three-phase power supply. It can be installed by direct welding and with the help of the upper (2) and lower (3) flanges, for which a counter flange is welded before. It is recommended to install the lower (3) counter flange first, then cut the size of the metal separator height (+5 mm) from the pipeline, then place the device on the counter flange and screw it to it. We also screw the counter flange to the upper (2) flange and thus weld the counter flange to the pipeline, this way everything is in the right direction. The direction of rotation of

the magnetic grid (4) is not important. It is important to note that a worker with a PACEMAKER should not touch the metal separator, as the device has a large magnetic field.

HANDLING AND MAINTENANCE OF METAL SEPARATOR

During maintenance, it is worth checking the electric motor (1) to make sure it is working flawlessly. If the door (5) hinges move with difficulty, it is recommended to oil them. Make sure that the spring-loaded safety pin holding the magnet grid in place is in there. During maintenance, if they have a metal separator with a detachable grid design, remove the magnetic charge from the grid and blow out the tubes with compressed air, and also wipe the magnetic charge thoroughly with a clean cloth. There is rubber insulation around the door (5), it may begin to peel off over the years, if this happens it is worth re-gluing it or replacing it again.



GREEN MAGNETIK DOO.

May the magnetic force be with you!

24000 Subotica, Blaha Lujze 23.

Tel.: +381 (0)63-198-03-59

E-mail: office@greenmagnetik.rs

www.greenmagnetik.rs

CLEANING

Detachable grid design:

Before starting the cleaning, switch off the electric motor (1), then open its door (5) and remove the spring-loaded safety pin to pull out the magnetic charge (4). We place the base of the grid on the ground, by stepping on both sides we can easily pull the magnetic charge apart from the grid, this causes the selected metal powder to fall to the ground. Place the magnetic charge back into the grid, then put the grid back into the machine. After replacing the safety pin, we can switch the electric motor back on.

Fix grid design:

Before starting the cleaning, switch off the electric motor (1), then open its door (5) and remove the spring-loaded safety pin to pull out the magnetic charge (4). Place the base of the grid on the ground, pull off the caught metal scrap found on the bars with your hand towards the ground (toward the non-magnetic part). After cleaning all the bars, put the grid back into the machine. After replacing the safety pin, we can switch the electric motor back on.

IMPORTANT!

Workers who have a PACEMAKER cannot work with the device, as it has powerful magnets!

The cleaning should not be done with metal objects that are attracted to the magnet, but instead with plastic, rubber, stainless steel, etc.

It is strongly recommended to use rubber gloves!