



## **GREEN MAGNETIK DOO.**

**May the magnetic force be with you!**

24000 Subotica, Blaha Lujze 23.

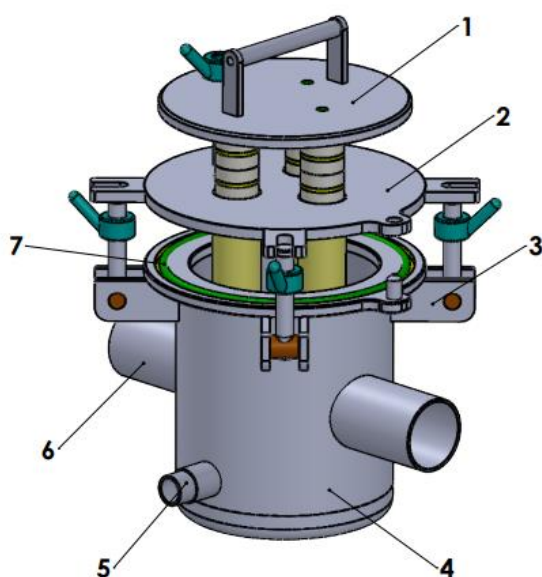
Tel. +381 (0)63-198-03-59

E-mail: office@greenmagnetik.rs

www.greenmagnetik.rs

## **INSTRUCTIONS FOR INSTALLATION, HANDLING, MAINTENANCE AND SAFE OPERATION**

### **GM-PRF-(T)-...-(FIX)-**



A versatile, very effective metal separator. They can be installed vertically for gravity fall materials, they can handle high pressure in case of pressure conveying systems. With double wall they can be heated or cooled to keep the texture of the material (melted chocolate).

### **INSTALLATION INSTRUCTIONS**

The desired place must have enough space so that we can remove the magnetic grid (2) during cleaning, and if it is a double-wall version, they can circulate cold or hot water between the two walls across the valves (5), in which case they need one more pipe. It can be installed by direct welding, using standard flanges, as well as by hollanders.

### **MAINTENANCE AND HANDLING OF THE METAL SEPARATOR**

The magnet grid is removed for cleaning with four threaded screws (3). Before releasing the buckles, make sure that the system is not under pressure. After cleaning the grid, make sure that the rubber ring (7) fits into place. During maintenance, check whether the sealing ring is leaking, if so, it must be replaced.

#### **Double-wall design:**

The selector housing (4) has a double wall, through which cold or warm water can flow, which can be realized by attaching hose to each of the two ¾-inch threaded pipes. We guarantee the leak-free welding of the house, which can be operated at a pressure of more than 4 bars.



## **GREEN MAGNETIK DOO.**

**May the magnetic force be with you!**

24000 Subotica, Blaha Lujze 23.

Tel. +381 (0)63-198-03-59

E-mail: [office@greenmagnetik.rs](mailto:office@greenmagnetik.rs)

[www.greenmagnetik.rs](http://www.greenmagnetik.rs)

### **Removable core (Easy clean):**

Cleaning is easier because the magnetic bars (1) are pulled out of the grid (2) at the same time, thereby cleaning all the bars at the same time. Before sliding the magnets back into the grid, make sure the grid tubes are clean and dry. Do not hit the grill with anything or touch it with any kind of metal object.

### **Fix grid design:**

The difference between the fixed grid and the detachable one is that it has a much longer service life, and a higher magnetic force can be measured on it, but its cleaning is done entirely manually, which is why it is a dirty job for some materials, but since the magnets are hermetically sealed, they can also be washed with pressurized water.

## **CLEANING**

Cleaning is recommended with rubber gloves, goggles and a mask. The fixed grid design can be washed as soon as it is removed from its housing (4). For the pull-out grid design, first turn off the buckles (3), then remove the magnetic core (1) from the grid (2) and only wash the grid, the magnet filling must not come into contact with water, and put the magnets back into the grid only when the the inside of the pipes is clean.

## **IMPORTANT!**

**Workers who have a PACEMAKER must not work with the device as it has powerful magnets!**

**Cleaning should not be done with metal objects that are attracted to the magnet, but instead with plastic, rubber, stainless steel, etc. Using tools.**

**It is strongly recommended to use rubber gloves, safety glasses and facemask for cleaning.**

**The magnetic bars must not be exposed to a higher temperature than the maximum temperature prescribed for the given type of magnet (N 80 C°, SH 150 C°, TH 250 C°, etc.)!**