



GREEN MAGNETIK DOO.

May the magnetic force be with you!

24000 Subotica, Blaha Lujze 23.

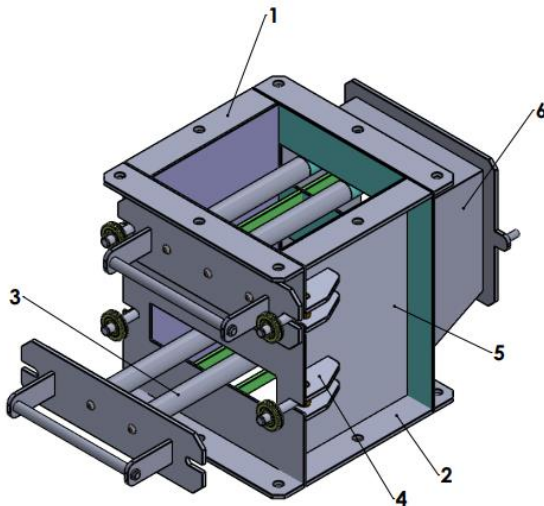
Tel. +381 (0) 63-198-03-59

E-mail: office@greenmagnetik.rs

www.greenmagnetik.rs

INSTRUCTIONS FOR INSTALLATION, HANDLING, MAINTENANCE AND SAFE OPERATION

GM-PRK-...-(FIX)-



A very effective way to remove metal particles from the material. They are made from AISi316L stainless steel, they can resist acids and salted water as well. We can manufacture them with the highest magnetic strength that is possible with permanent magnets.

INSTALLATION INSTRUCTIONS

The separator must be installed vertically, so the material flow goes through by gravitation fall. The desired location must have enough

space to remove the magnetic grid/s (3) for cleaning. It can be installed by direct welding and using the upper (1) and lower (2) flanges.

MAINTENANCE OF THE METAL SEPARATOR

The magnet grid is removed for cleaning with two threaded screws (4). Before releasing the buckles, make sure that the system is not under pressure. During maintenance, check whether the seal is leaking, if so, it must be replaced.

Removable core (Easy clean):

Cleaning is easier because the magnetic bars are pulled out of the grid (3) at the same time, thus cleaning all the bars at the same time. Before sliding the magnets back into the grid, make sure the grid tubes are clean and dry inside. Do not hit the grill with anything or touch it with any kind of metal object. If it is difficult to put the magnetic charge back into the grid, it is worth cleaning the magnetic core thoroughly, if this does not help, then contact us and we will renew it within five working days.



GREEN MAGNETIK DOO.

May the magnetic force be with you!

24000 Subotica, Blaha Lujze 23.

Tel. +381 (0) 63-198-03-59

E-mail: office@greenmagnetik.rs

www.greenmagnetik.rs

Fix grid design:

The difference between the fixed grid and the detachable one is that it has a much longer service life, and a higher magnetic force can be measured on it, but its cleaning is done entirely manually, which is why it is a dirty job for some materials, but since the magnets are hermetically sealed, they can also be washed with pressurized water.

CLEANING

Cleaning is recommended with rubber gloves, goggles and a mask. The fixed grid design can be washed as soon as it is removed from its housing (5). For the pull-out grid version, first turn off the buckles, then remove the magnetic core from the grid and only the grid should be washed, the magnetic core must not come into contact with water, and only put the magnets back in the grid if the inside of the pipes are clean. If cleaning with water is not important, then do not use them, unless they have fixed grids.

IMPORTANT!

Workers who have a PACEMAKER must not work with the device as it has powerful magnets!

Cleaning should not be done with metal objects that are attracted to the magnet, but instead with plastic, rubber, stainless steel, etc. Using tools.

It is strongly recommended to use rubber gloves, safety glasses and facemask for cleaning.

The magnetic bars must not be exposed to a higher temperature than the maximum temperature prescribed for the given type of magnet (N 80 C°, SH 150 C°, TH 250 C°, etc.)!