



GREEN MAGNETIK DOO.

May the magnetic force be with you!

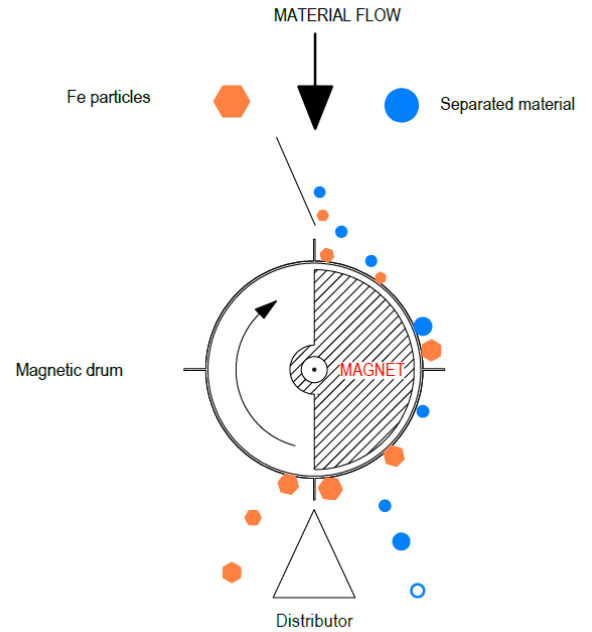
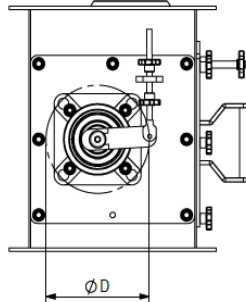
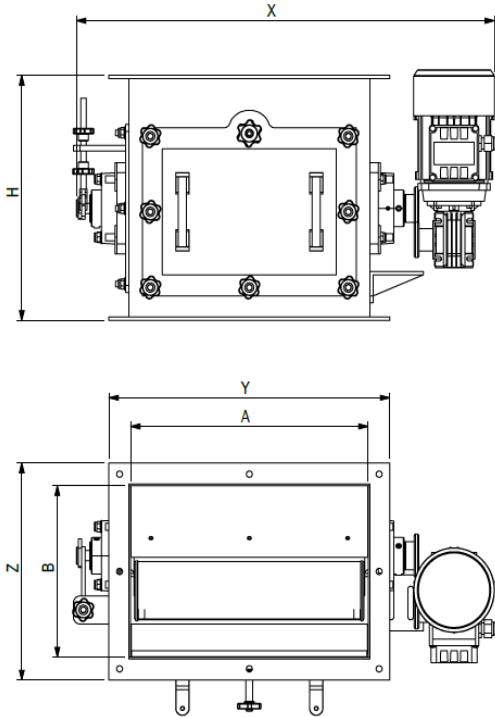
24000 Subotica, Blaha Lujze 23.

Tel.: +381 (0)63-198-03-59

E-mail: office@greenmagnetik.rs

www.greenmagnetik.rs

Data sheet PAB - Half magnetic drum with housing



| Name | Material capacity (m ³ /h) | Weight (kg) | Dimensions (mm) | | | | | | |
|-------------|---------------------------------------|-------------|-----------------|------------|-----|-----|-----|------|-----|
| | | | X | A | D | B | Z | Y | H |
| PAB-DN150-Y | 15...60 | 70...175 | 500...1300 | 200...1000 | 150 | 300 | 385 | A+85 | 400 |
| PAB-DN250-Y | 17...68 | 90...225 | | | 250 | 500 | 585 | | 450 |
| PAB-DN350-Y | 22...88 | 125...315 | | | 350 | 600 | 685 | | 700 |
| PAB-DN450-Y | 27...108 | 140...400 | | | 450 | 700 | 785 | | 900 |
| PAB-DN550-Y | 32...128 | 180...450 | | | 550 | 900 | 985 | | 950 |

| Parameters | Value |
|--|--|
| Description of the metal separator: | Suitable for automatic selection of larger metal contaminants. Built at the beginning and end of conveyor belts, in pipelines. |
| Area of use: | for solid materials |
| Direction of the material flow: | vertical, gravitational flow |
| Built-in magnet type: | Neodymium N52 magnet, ferrit Y35 magnet |
| Maximum magnetic induction (Gaus) on the magnetic rods (+/- 10%): | N52 version 8500 Gaus, Y35 version 4200 Gaus |
| Magnetic force on the magnetic core (+/- 10%): | N52 version 14800 Gaus, Y35 version 4800 Gaus |
| The standard connection: | square, rectangle, but can be converted to a circle, but then the separator will be higher (H value increases) |
| The smallest metal contaminant that the metal separator can catch: | N52 version 0,1 mm, Y35 version 1,5 mm |
| The largest metal contaminant that the metal separator can catch: | 100 mm |
| Maximum operating temperature: | 100 (°C) |
| Suitable for vacuum or pressure transport: | no |
| Suitable for the selection of non-metallic materials: | no |
| Standard installation requirements: | power supply (400V, 50Hz) |
| Cleaning of the metal separator: | self cleaning |
| The metal separator is made out of: | AISI304, AISI316 |
| Exterior surface treatment: | matt, polished |
| Internal surface treatment: | matt |
| Maximum operating time: | 24 h/day |
| Operation parameters: | START / STOP switch |
| Warrantee: | 12 month |

In addition to above, the metal selectors are available in other sizes with higher temperature resistant magnets. Material capacity is a relative value, it depends a lot on the type of material.