



GREEN MAGNETIK DOO.

May the magnetic force be with you!

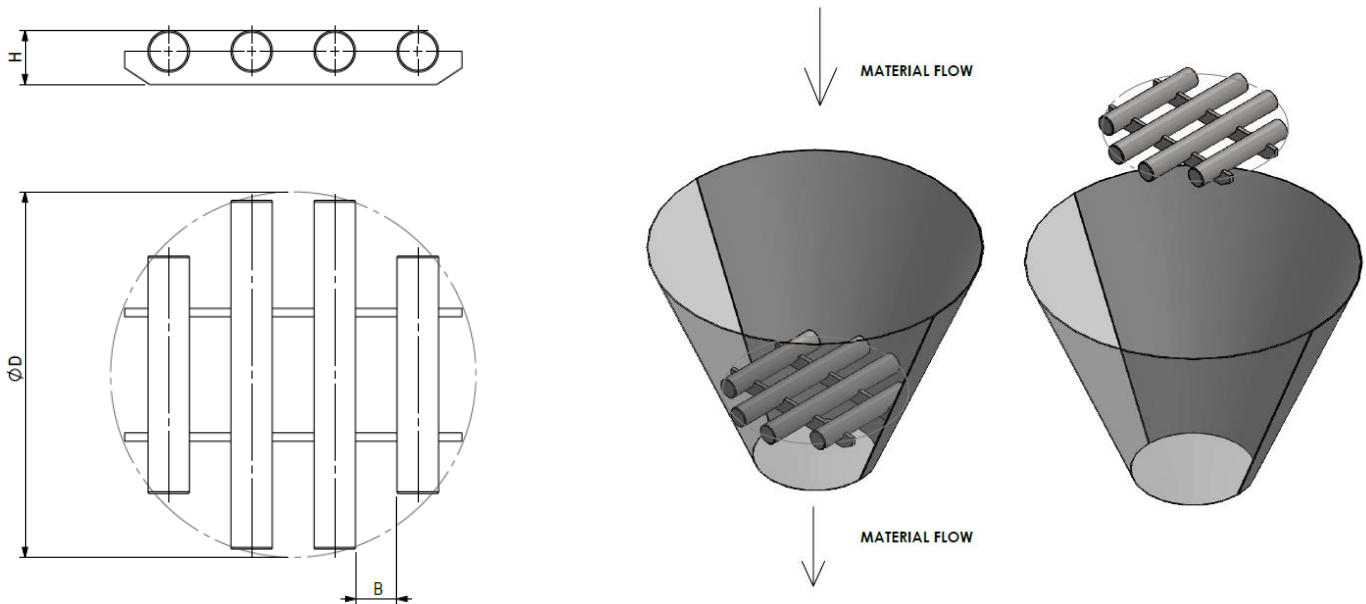
24000 Subotica, Blaha Lujze 23.

Tel.: +381 (0)63-198-03-59

E-mail: office@greenmagnetik.rs

www.greenmagnetik.rs

Data sheet PR-FIX – Fix round magnetic grid



Name	Weight (kg)	Dimensions (mm)			Number of magnetic rods
		ØD	B	H	
PR-115-N-FIX	4	115	25	33	Ø25x2
PR-165-N-FIX	6	165			Ø25x3
PR-215-N-FIX	8	215			Ø25x4
PR-265-N-FIX	15	265			Ø25x5
PR-315-N-FIX	20	315			Ø25x6
PR-365-N-FIX	25	365			Ø25x7

Perfect for conical feeders, at the end of a conveyor belt. Available in several mounting modes, depending on where will it be mounted.

Parameters	Value
Description of the metal separator:	Circular magnetic grid with fix magnetic core.
Area of use:	granulat, powder type material
Built-in magnet type:	Neodymium N52 magnet
Maximum magnetic induction (Gaus) on the magnetic rods (+/- 10%):	9500 Gaus on request up to 12000 Gaus
Magnetic force on the magnetic core (+/- 10%):	14800 Gaus
The standard connection:	non, we can put inner or outer threades to the sides on which the grid could be mounted
The smallest metal contaminant that the metal separator can catch:	0,01 mm
The largest metal contaminant that the metal separator can catch:	50 mm
Maximum operating temperature:	60 (°C)
Suitable for vacuum or pressure transport:	no
Suitable for the selection of non-metallic materials:	no
Standard installation requirements:	non
Cleaning of the metal separator:	manual, cleaned by hand
The metal separator is mad out of:	AISI304
Exterior surface treatment:	matt, polished
Internal surface treatment:	matt, polished
Maximum operating time:	24 h/day
It is necessary to stop the flow of material during cleaning:	yes
Maximum preparation time (if not in stock):	1 month
Warrantee:	12 month

In addition to above, the metal selectors are available in other sizes with higher temperature resistant magnets.

