



## GREEN MAGNETIK DOO.

May the magnetic force be with you!

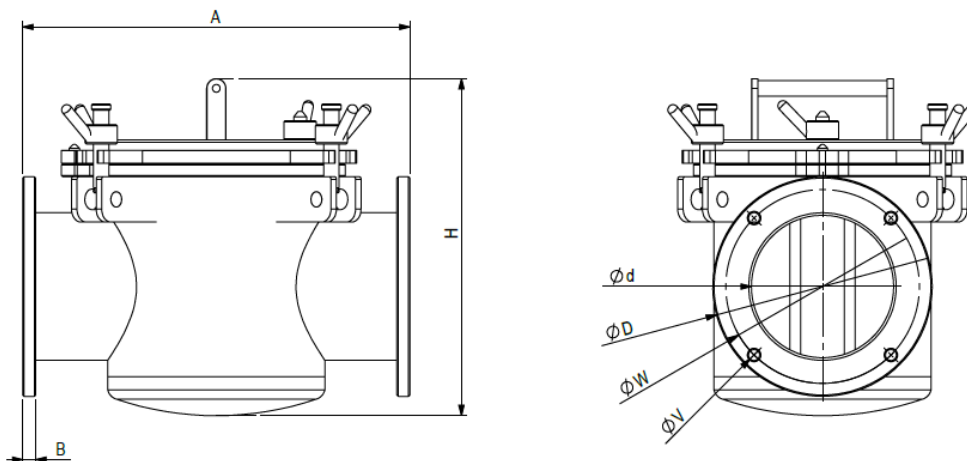
24000 Subotica, Blaha Lujze 23.

Tel.: +381 (0)63-198-03-59

E-mail: office@greenmagnetik.rs

www.greenmagnetik.rs

### Data sheet PRF – Metal separator for liquid, pneumatic conveying systems



Name	Weight (kg)	Dimensions (mm)							Number of magnetic rods
		Ød	ØD	H	ØW	A	ØV	B	
PRF-40-N	8	40	100	250	70	250	13	5	3
PRF-50-N	9	50	120	250	190	250	13	5	3
PRF-70-N	15	70	150	300	250	300	13	8	4
PRF-100-N	18	100	205	330	300	300	13	8	5
PRF-120-N	30	120	225	350	350	400	18	10	8
PRF-150-N	33	150	255	380	400	400	18	10	8
PRF-200-N	44	200	305	430	450	500	18	10	10

#### Versions:

**RAZ** – The magnetic core can be removed from the stainless steel grid, this way all of the rods are cleaned at the same time, and the grid can be washed with water. This version has a slight smaller magnetic strenght (about 9 000 Gauss).

**FIX** – They are a bit longer, so the H dimension above is 90 mm more. The magnetic rods are cleaned one by one, the whole magnetic grid can be washed, because the magnets are welded airtight. This version has a larger magnetic strenght (up to 12 000 Gauss).

Parameters	Value
Description of the metal separator:	Effectively removes metal contaminants from liquids, materials transported by vacuum or compressed air
Area of use:	granular, powdery, liquid substance
Built-in magnet type:	Neodymium N52 magnet, if the material temperatur is high we can use other tipe of high temperatur resistant magnets
Maximum magnetic induction (Gaus) on the magnetic rods (+/- 10%):	RAZ - 9000 Gaus, FIX - 12000
Magnetic force on the magnetic core (+/- 10%):	14800 Gaus
The standard connection:	standard circle flange, hollander, anything on request
The smallest metal contaminant that the metal separator can catch:	0,01 mm
The largest metal contaminant that the metal separator can catch:	10 mm
Maximum operating temperature:	60 (°C), more with samarium magnets (up to 300 °C)
Suitable for vacuum or pressure transport:	yes, up to 8 bar, we can do more on request
Suitable for the selection of non-metallic materials:	no
Standard installation requirements:	contra flange, can be ordered from us as well
Cleaning of the metal separator:	manual cleaning
The metal separator is mad out of:	AlSi304 or AlSi316
Exterior surface treatment:	matt, polished
Internal surface treatment:	matt
Maximum operating time:	24 h / day
It is necessary to stop the flow of material during cleaning:	yes
Maximum preparation time (if not in stock):	1 month
Warrantee:	12 month

**In addition to above, the metal selectors are available in other sizes with higher temperature resistant magnets. It is available in a double-walled design, where hot or cold water can flow between the two walls, which can help keep the material in the required temperature (for example: keeping chocolate melted).**