



GREEN MAGNETIK DOO.

May the magnetic force be with you!

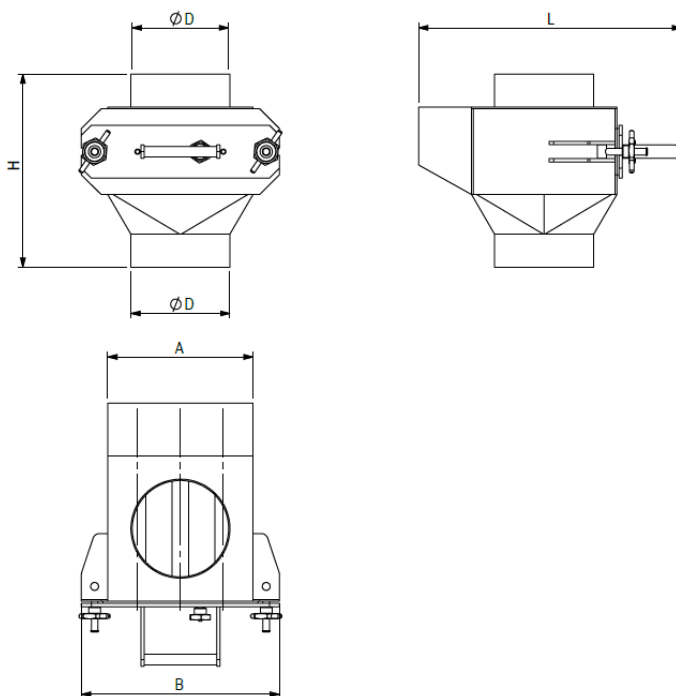
24000 Subotica, Blaha Lujze 23.

Tel.: +381 (0)63-198-03-59

E-mail: office@greenmagnetik.rs

www.greenmagnetik.rs

Data sheet PRK-FIX – In line separator with one fix magnetic grid



| Name | Max capacity (m ³ /h) | Weight (kg) | Dimensions (mm) | | | | | Number of rods |
|---------------|----------------------------------|-------------|-----------------|-----|-----|-----|-----|----------------|
| | | | ØD | □A | H | L | B | |
| PRK-100-N-FIX | 1,5 | 5 | 100 | 160 | 230 | 340 | 240 | Ø25x3 |
| PRK-110-N-FIX | 1,5 | 5 | 110 | 160 | | 340 | 240 | Ø25x3 |
| PRK-120-N-FIX | 2 | 6 | 120 | 170 | | 350 | 250 | Ø25x3 |
| PRK-150-N-FIX | 3 | 8 | 150 | 220 | | 400 | 300 | Ø25x3 |
| PRK-170-N-FIX | 4 | 13 | 170 | 250 | | 430 | 330 | Ø25x4 |
| PRK-200-N-FIX | 4,5 | 17 | 200 | 270 | | 450 | 350 | Ø25x4 |
| PRK-250-N-FIX | 7 | 22 | 250 | 320 | | 500 | 400 | Ø25x5 |
| PRK-300-N-FIX | 10 | 25 | 300 | 370 | | 550 | 450 | Ø25x6 |

| Parameters | Value |
|--|---|
| Description of the metal separator: | Designed for circular pipes, it has a fix magnetic grid, that has a strong magnetic field |
| Area of use: | granular, powder type materials |
| Built-in magnet type: | Neodymium N52 magnet |
| Maximum magnetic induction (Gaus) on the magnetic rods (+/- 10%): | 10000 Gaus (up to 13000 on request) |
| Magnetic force on the magnetic core (+/- 10%): | 14800 Gaus |
| The standard connection: | weldable pipes, flanges / counter flanges, clamping ring, hollander, ... |
| The smallest metal contaminant that the metal separator can catch: | 0,01 mm |
| The largest metal contaminant that the metal separator can catch: | 30 mm |
| Maximum operating temperature: | 60 (°C) |
| Suitable for vacuum or pressure transport: | yes, up to 1 bar |
| Suitable for the selection of non-metallic materials: | no |
| Standard installation requirements: | contra flange, can be ordered |
| Cleaning of the metal separator: | manual, hand-cleaned, the fixed rods must be cleaned one by one towards their non-magnetic part |
| The metal separator is mad out of: | AISI304 |
| Exterior surface treatment: | matt, polished |
| Internal surface treatment: | matt |
| Maximum operating time: | 24 h/day |
| It is necessary to stop the flow of material during cleaning: | yes |
| Maximum preparation time (if not in stock): | 1 month |
| Warrantee: | 12 month |

In addition to above, the metal selectors are available in other sizes with higher temperature resistant magnets. Material capacity is a relative value, it depends on the type of material.

